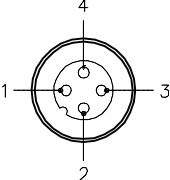
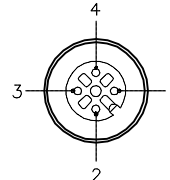
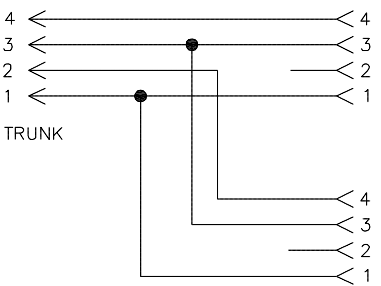
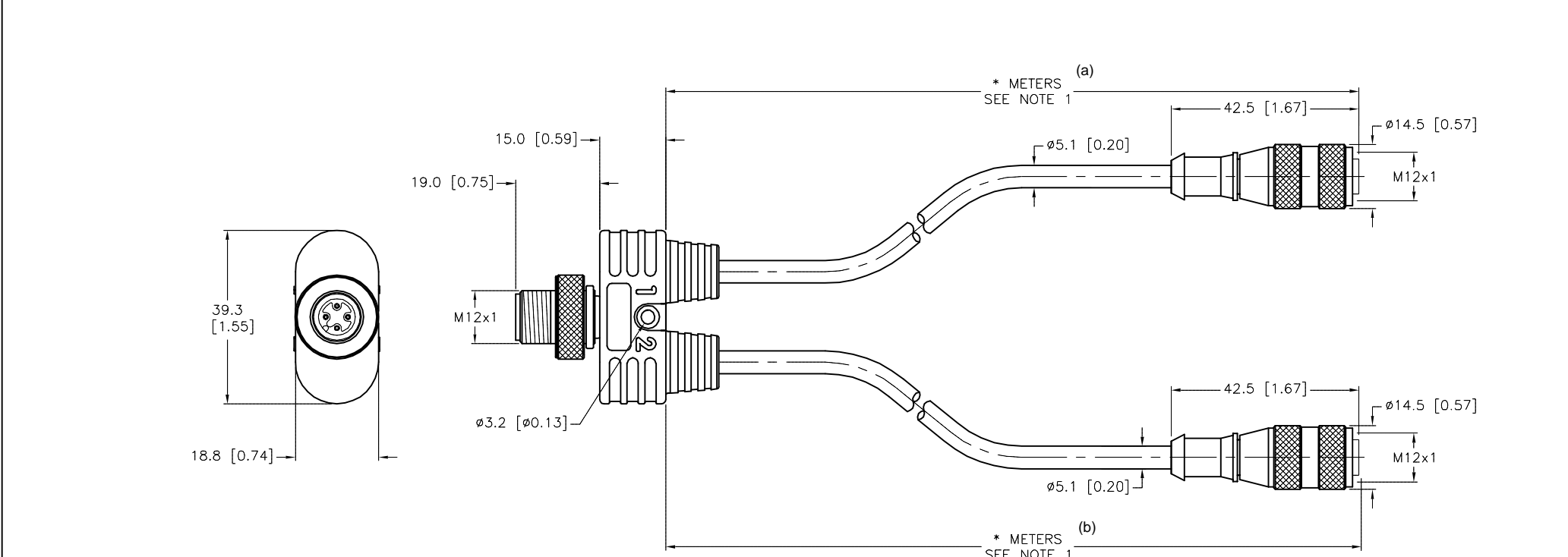


MALE END VIEW	FEMALE END VIEW	WIRING DIAGRAM	SPECIFICATIONS																							
			<table border="1"> <tr><td>CONTACT CARRIER MATERIAL</td><td>TPU</td></tr> <tr><td>MOLDED HEAD MATERIAL/COLOR</td><td>TPU/YELLOW</td></tr> <tr><td>CONTACT MATERIAL/PLATING</td><td>BRASS/GOLD</td></tr> <tr><td>COUPLING NUT MATERIAL/PLATING</td><td>BRASS/NICKEL</td></tr> <tr><td>RATED CURRENT [A]</td><td>4.0 A</td></tr> <tr><td>RATED VOLTAGE [V]</td><td>250 VAC/300 VDC</td></tr> <tr><td>OUTER JACKET MATERIAL/COLOR</td><td>PVC/GREY</td></tr> <tr><td>CONDUCTOR INSULATION MATERIAL</td><td>PVC</td></tr> <tr><td>NUMBER OF CONDUCTORS [AWG]</td><td>3x22 AWG</td></tr> <tr><td>TEMPERATURE RATING</td><td>-40°C to +105°C (-40°F to +221°F)</td></tr> <tr><td>PROTECTION CLASS</td><td>MEETS NEMA 1,3,4,6P AND IEC IP68</td></tr> </table>	CONTACT CARRIER MATERIAL	TPU	MOLDED HEAD MATERIAL/COLOR	TPU/YELLOW	CONTACT MATERIAL/PLATING	BRASS/GOLD	COUPLING NUT MATERIAL/PLATING	BRASS/NICKEL	RATED CURRENT [A]	4.0 A	RATED VOLTAGE [V]	250 VAC/300 VDC	OUTER JACKET MATERIAL/COLOR	PVC/GREY	CONDUCTOR INSULATION MATERIAL	PVC	NUMBER OF CONDUCTORS [AWG]	3x22 AWG	TEMPERATURE RATING	-40°C to +105°C (-40°F to +221°F)	PROTECTION CLASS	MEETS NEMA 1,3,4,6P AND IEC IP68	
CONTACT CARRIER MATERIAL	TPU																									
MOLDED HEAD MATERIAL/COLOR	TPU/YELLOW																									
CONTACT MATERIAL/PLATING	BRASS/GOLD																									
COUPLING NUT MATERIAL/PLATING	BRASS/NICKEL																									
RATED CURRENT [A]	4.0 A																									
RATED VOLTAGE [V]	250 VAC/300 VDC																									
OUTER JACKET MATERIAL/COLOR	PVC/GREY																									
CONDUCTOR INSULATION MATERIAL	PVC																									
NUMBER OF CONDUCTORS [AWG]	3x22 AWG																									
TEMPERATURE RATING	-40°C to +105°C (-40°F to +221°F)																									
PROTECTION CLASS	MEETS NEMA 1,3,4,6P AND IEC IP68																									



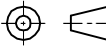
CABLE LENGTH	TOLERANCE*
ALL LENGTHS	+ 4% (OR 50mm) OF LENGTH - 0% (OR 0mm) OF LENGTH WHICHEVER IS GREATER
STRIP LENGTH	TOLERANCE*
0-7mm	±0.5mm
8-29mm	±1.0mm
30-49mm	±2.0mm
50-69mm	±3.0mm
70-100mm	±4.0mm
OVER 100mm	±5.0mm

*UNLESS OTHERWISE SPECIFIED

NOTES:

1. "*" INDICATES CABLE LENGTH IN METERS. CONTACT TURCK TO ORDER SPECIFIC LENGTHS.

SOURCE DRAWING - FOR REFERENCE ONLY

RELATED DOCUMENTS 1. 2. 3. 4.	3RD ANGLE PROJECTION 	THIS DRAWING IS CONFIDENTIAL AND THE PROPERTY OF TURCK INC. USE OF THIS DOCUMENT WITHOUT WRITTEN PERMISSION IS PROHIBITED.	<div style="text-align: right;"> <p>3000 CAMPUS DRIVE MINNEAPOLIS, MN 55441 1-800-544-7769 (763) 553-7300 (763) 553-0708 fax turck.com</p> </div> <div style="text-align: center;"> <p>TURCK INC High Technology Sensors and Automation Controls</p> </div>																										
MATERIAL SEE SPECIFICATIONS FINISH SEE SPECIFICATIONS	ALL DIMENSIONS DISPLAYED ON THIS DRAWING ARE FOR REFERENCE ONLY CONTACT TURCK FOR MORE INFORMATION	<table border="1"> <tr> <td>DRFT</td> <td>RDS</td> <td>DATE</td> <td>06/14/06</td> </tr> <tr> <td>APVD</td> <td></td> <td>SCALE</td> <td>1=1.3</td> </tr> <tr> <td colspan="4" style="text-align: center;">UNIT OF MEASUREMENT</td> </tr> <tr> <td colspan="4" style="text-align: center;">MILLIMETER [INCH]</td> </tr> </table>	DRFT	RDS	DATE	06/14/06	APVD		SCALE	1=1.3	UNIT OF MEASUREMENT				MILLIMETER [INCH]				<table border="1"> <tr> <td colspan="2" style="text-align: center;">DESCRIPTION</td> </tr> <tr> <td colspan="2" style="text-align: center;">YBZZ-FSM4.4/2RK4T-*/*</td> </tr> <tr> <td colspan="2" style="text-align: right;">(a) (b)</td> </tr> <tr> <td>IDENTIFICATION NO.</td> <td>REV</td> </tr> <tr> <td></td> <td style="text-align: center;">F</td> </tr> </table>	DESCRIPTION		YBZZ-FSM4.4/2RK4T-*/*		(a) (b)		IDENTIFICATION NO.	REV		F
DRFT	RDS	DATE	06/14/06																										
APVD		SCALE	1=1.3																										
UNIT OF MEASUREMENT																													
MILLIMETER [INCH]																													
DESCRIPTION																													
YBZZ-FSM4.4/2RK4T-*/*																													
(a) (b)																													
IDENTIFICATION NO.	REV																												
	F																												
<table border="1"> <tr> <td>F</td> <td>UPDATE CABLE SPECIFICATIONS</td> <td>KMY</td> <td>05/20/14</td> <td>44672</td> </tr> <tr> <td>REV</td> <td>DESCRIPTION</td> <td>BY</td> <td>DATE</td> <td>ECO NO.</td> </tr> </table>		F	UPDATE CABLE SPECIFICATIONS	KMY	05/20/14	44672	REV	DESCRIPTION	BY	DATE	ECO NO.	DO NOT SCALE THIS DRAWING FILE: 777012726 SHEET 1 OF 1																	
F	UPDATE CABLE SPECIFICATIONS	KMY	05/20/14	44672																									
REV	DESCRIPTION	BY	DATE	ECO NO.																									